

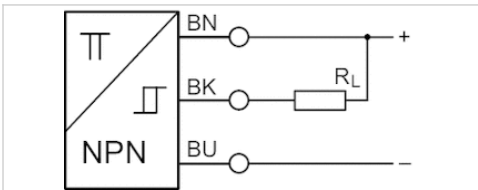
## Sensor, Series ST4

- 4 mm C-slot
- with cable
- Plug, M8, 3-pin, Plug, M8, 3-pin, with knurled screw
- With stretched impulse



### Certificates

Ambient temperature min./max.	UL (Underwriters Laboratories), cULus, RoHS
Protection class	-30 ... 80 °C
Switching point precision mT	IP65, IP67
Min./max. DC operating voltage	±0,1
Switching logic	10 ... 30 V DC
Pulse stretching	NO (make contact)
Display	20 ms
LED status display	LED
Vibration resistance	Yellow
Shock resistance	10 - 55 Hz, 1 mm
Mounting screw	30 g / 11 ms
	Combination: slotted and hexagon socket



## Technical data

Part No.	Type of contact	Cable length	Voltage drop U at I <sub>max</sub>	DC switching current, max.	Mounting screw
R412024123	electronic NPN	0,3 m	≤ 2,5 V	0,1 A	Combination: slotted and hexagon socket
R412024125	electronic PNP	0,3 m	≤ 2,5 V	0,1 A	Combination: slotted and hexagon socket

Part No.	Switch signal	
R412024123	With stretched impulse	1)
R412024125	With stretched impulse	2)

1) Plug M8, 3-pin

2) Plug M8, 3-pin, with knurled screw

## Technical information

The max. switching capacity must not be exceeded.

## Technical information

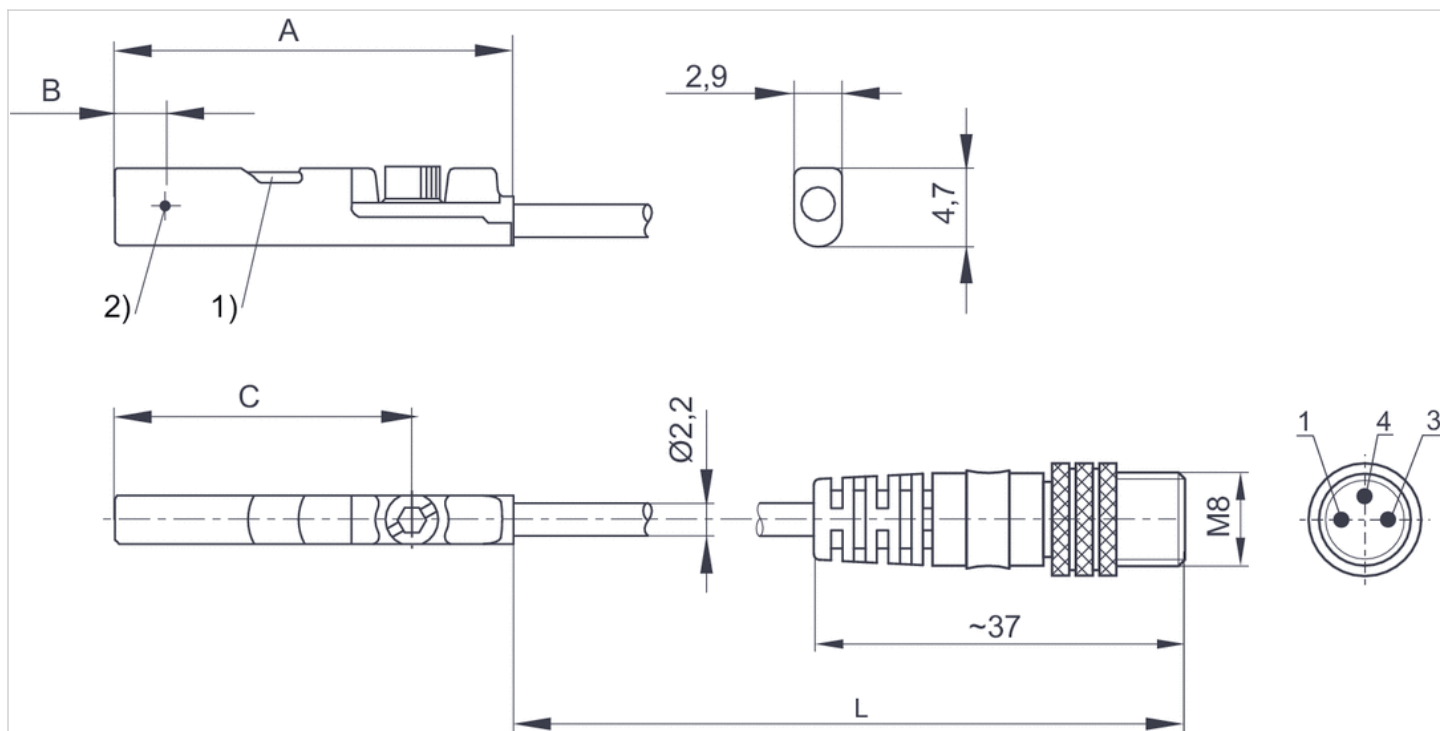
### Material

Housing	Polyamide, fiber-glass reinforced
Cable sheath	Polyurethane



## Dimensions

### Dimensions



1) LED 2) Switching point L = cable length Pin assignment: 1 = (+), 3 = (-), 4 = (OUT)

## Dimensions

Part No.	A	B	C
R412024123	23.7	2.8	17.7
R412024125	23.7	2.8	17.7



Siège Social Douala - Cameroun B.P. 12591 Douala  
 contact@2comappro.com  
 Tél: + 237 233 424 913  
 et + 237 674 472 158

[www.2comappro.com](http://www.2comappro.com)